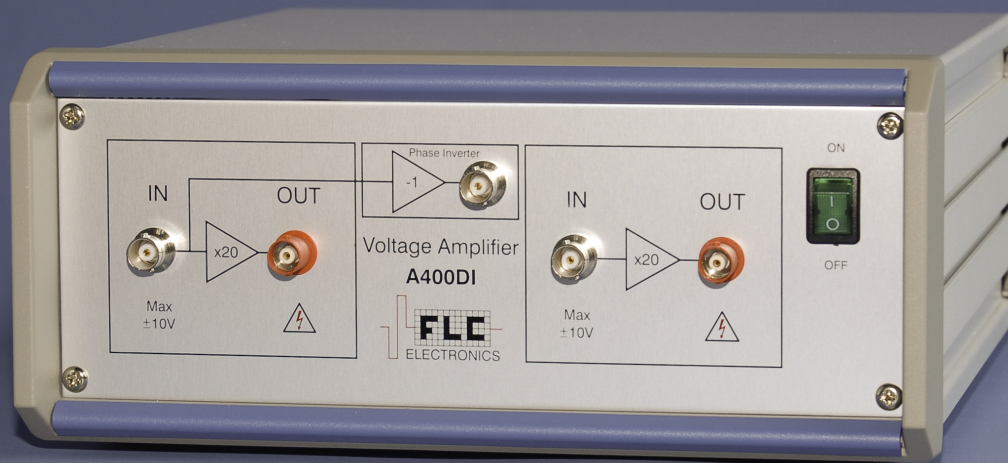
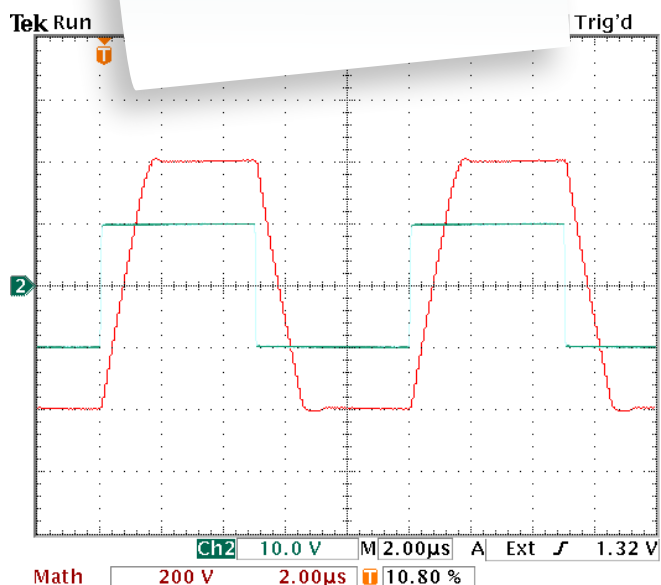
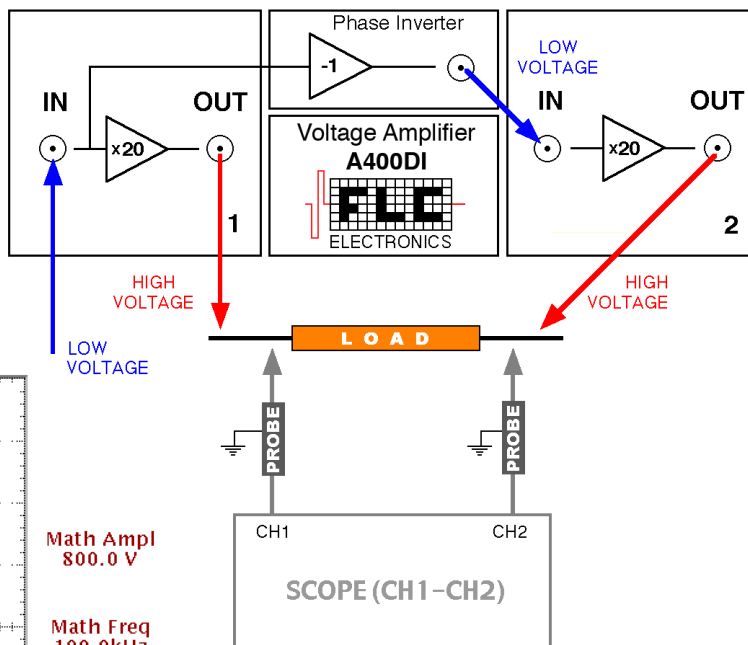


# HIGH VOLTAGE LINEAR AMPLIFIER

# A400DI



**OUTPUTS:**  
 2x 400Vpp  
 or 800Vpp  
 150mA  
 300V/ $\mu$ s



Math Ampl  
800.0 V

Math Freq  
100.0kHz

Math Rise  
1.207µs

Math Fall  
1.206µs

A400DI is a fast 2-channel linear amplifier designed for high voltage instrumentation. The phase inverter makes possible a differential connection of the load which doubles the output amplitude. The amplifier has low output impedance and works from DC up to megahertz range.